

Drop-In Drop-in refrigerated well, ventilated (2 GN container capacity)

ITEM # _____

MODEL # _____

NAME # _____

SIS # _____

AIA # _____


341046 (D12C2)

 Drop-in refrigerated well,
 ventilated (2 GN container
 capacity)

Short Form Specification

Item No.

Designed to be positioned in flush installation providing improved cleanability and suitable for modern design installations. Designed to serve: food in GN containers or food on plates/packages or bottles and cans thanks to adjustable bottom well. Suitable for GN 1/1 containers with a maximum height of 150 mm. Food introduced at the correct temperature maintains its core temperature according to Afnor Standards. Automatic defrosting guarantees evaporators clearance and efficient well cooling. Digital control with temperature display with precise adjustment (0,1°C). Fully compliant HACCP digital controls include visible alarms. Well equipped with adjustable bottom that can be set to 5 positions for each GN 1/1 section, independently one from the other to display different items with different heights. The temperature uniformity is guaranteed by powerful fans and high surface evaporator. Bottom part of well is removable for an easier access to the evaporator. Front grids and well bottom panels can be removed without the need of any tool for fast and effective cleaning. Well can be cleaned with a hose (after removing easily the fans) Wells in 304 AISI stainless steel with rounded corners to facilitate cleaning operations. The well is also equipped with a drain hole. High-density expanded polyurethane foam with cyclopentane guarantees excellent well insulation to reduce energy dispersion. R290 refrigerant gas (GWP=3) to reduce environmental impact and increase cooling efficiency.

Main Features

- Bottom part of well is removable for an easier access to the evaporator.
- Suitable for GN 1/1 containers with a maximum height of 150 mm.
- Designed to be positioned in flush installation providing improved cleanability and suitable for modern design installations.
- Precise temperature control and setting at 0,1°C .
- As standard the product comes with digitally controlled thermostat which is in line of HACCP norms and provides visual alarm as a warning of the increasing or decreasing temperatures.
- Food introduced at the correct temperature maintains its core temperature according to Afnor Standards.
- Automatic defrosting guarantees evaporators clearance and efficient well cooling.
- Remote version is available.
- Designed to serve: food in GN containers or food on plates/packages or bottles and cans thanks to adjustable bottom well.
- Available drop-in dimensions: 2, 3, 4, 5 GN.
- Well equipped with adjustable bottom that can be set to 5 positions for each GN 1/1 section, independently one from the other to display different items with different heights.
- The temperature uniformity is guaranteed by powerful fans and high surface evaporator.
- Front grids and well bottom panels can be removed without the need of any tool for fast and effective cleaning.
- Well can be cleaned with a hose (after removing easily the fans).
- CB and CE certified by a third party notified body.

Construction

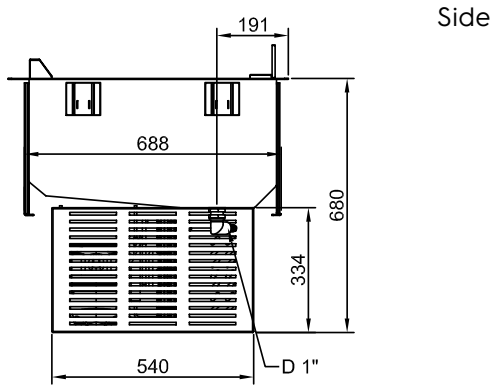
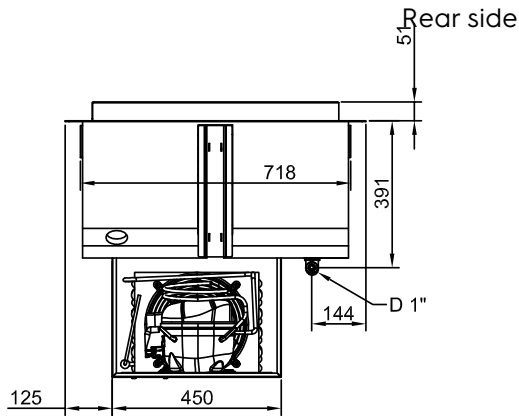
- Well bottom is inclined to facilitate water drainage.
- Well in 304 AISI stainless steel with rounded corners to facilitate cleaning operations. The well is also equipped with a drain hole.
- Electronic control with temperature display.
- IPx2 water protection.

Sustainability

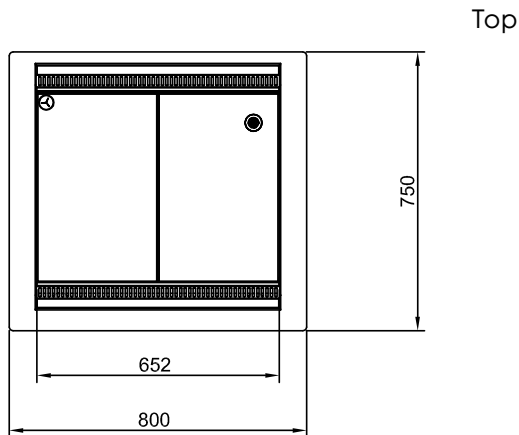
- Hydrocarbon refrigerant gas R290 for the lowest environmental impact (GWP=3) - CFC and HCFC free.
- High-density expanded polyurethane foam with cyclopentane guarantees excellent well insulation to reduce energy dispersion.



APPROVAL: _____



D = Drain
 EI = Electrical inlet (power)



Electric

Supply voltage:
 341046 (D12C2) 220-240 V/1N ph/50 Hz
 Electrical power max.: 0.56 kW

Water:

Water drain outlet size: 1"

Key Information:

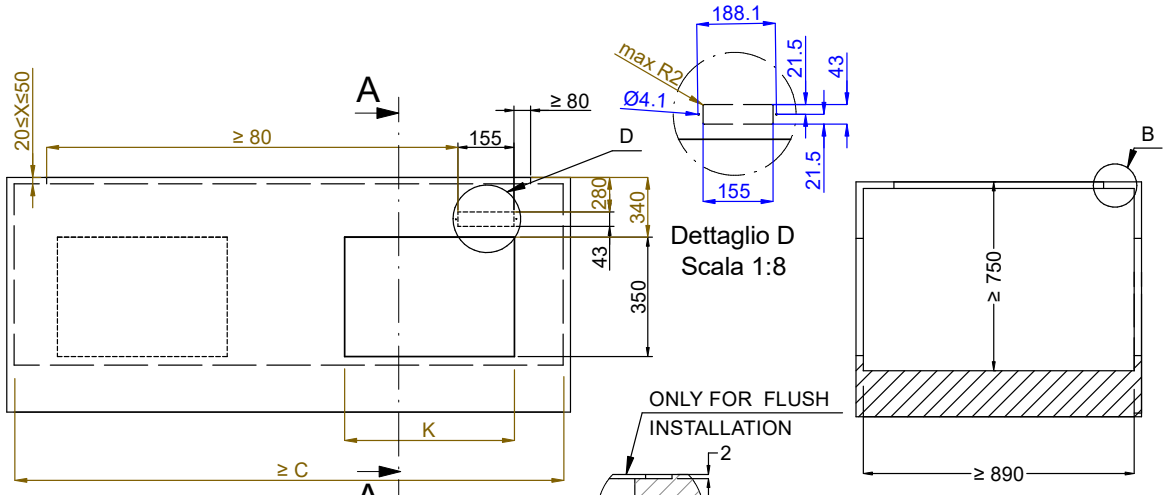
External dimensions, Width: 800 mm
 External dimensions, Depth: 750 mm
 External dimensions, Height: 710 mm
 Net weight: 54.7 kg
 Shipping weight: 94 kg
 Shipping height: 1020 mm
 Shipping width: 800 mm
 Shipping depth: 1180 mm
 Shipping volume: 0.96 m³
 Set temperature: +4 / +8 °C

Refrigeration Data

Refrigerant type: R290

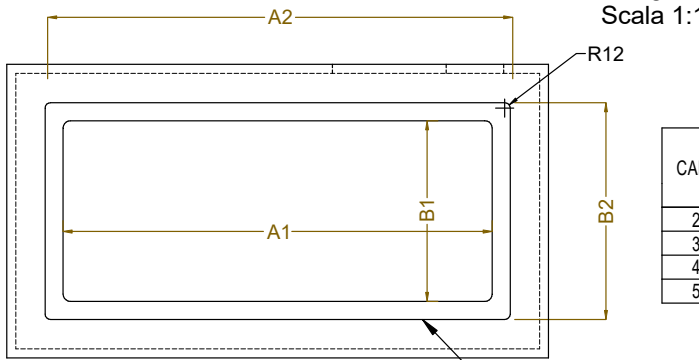
Sustainability

Noise level: 59 dBA



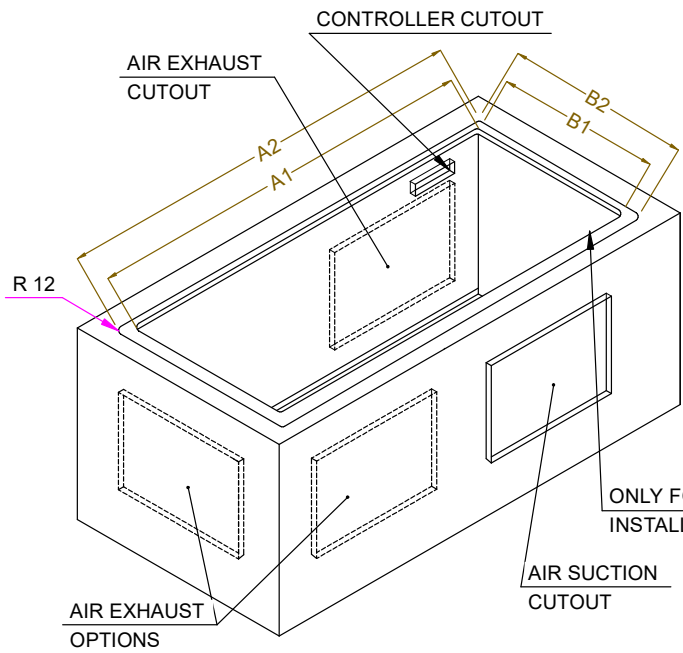
Front view
Scala: 1:20

Section Cut A-A
Scala: 1:20

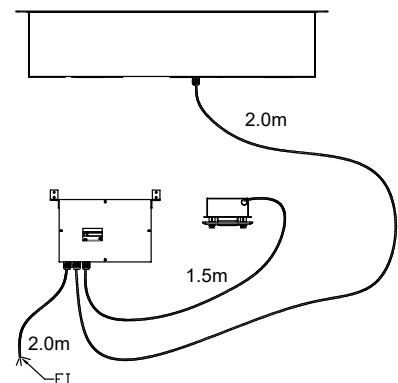


Top view
Scala: 1:20

| CAPACITY | CUTOUT | | LOWERING FOR FLUSH INSTALLATION | | C | K |
|----------|--------|-----|---------------------------------|-----|------|-----|
| | A1 | B1 | A2 | B2 | | |
| 2GN | 740 | 710 | 804 | 754 | 920 | 470 |
| 3GN | 1060 | | 1124 | | 1250 | |
| 4GN | 1390 | | 1454 | | 1580 | |
| 5GN | 1710 | | 1774 | | 1900 | 730 |



AIR EXHAUST
OPTIONS



595T01W00 - COLD VENT. WELL